

# FEED BANDER

## model ZFB 32 inline

automatic banding of print products in direct connection of machines with delivery of product piles

- » high productivity due to automatic feeding
  - » fully automatic pile alignment
  - » working direction to the left side
    - » extremely space saving

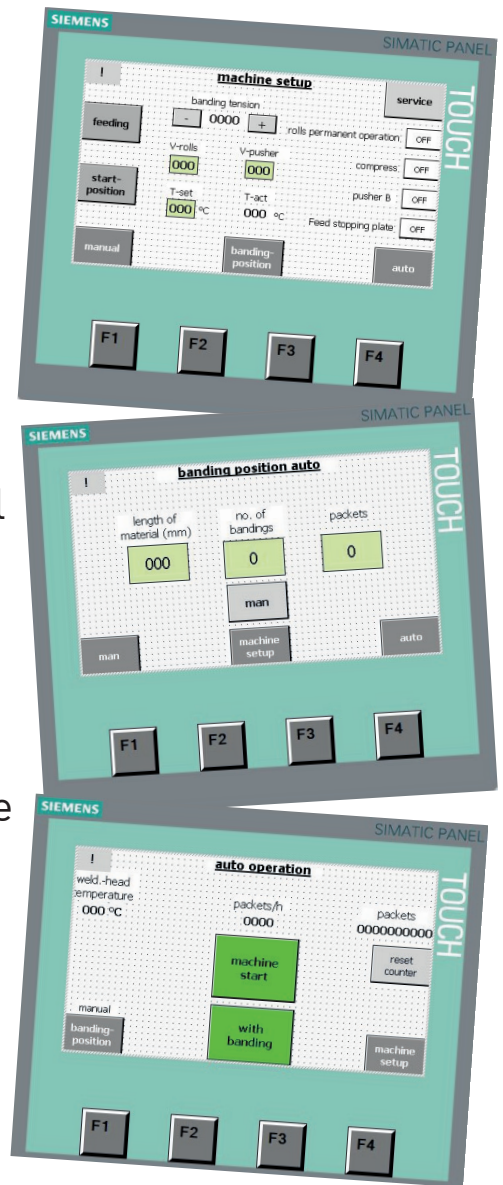




# FEED BANDER

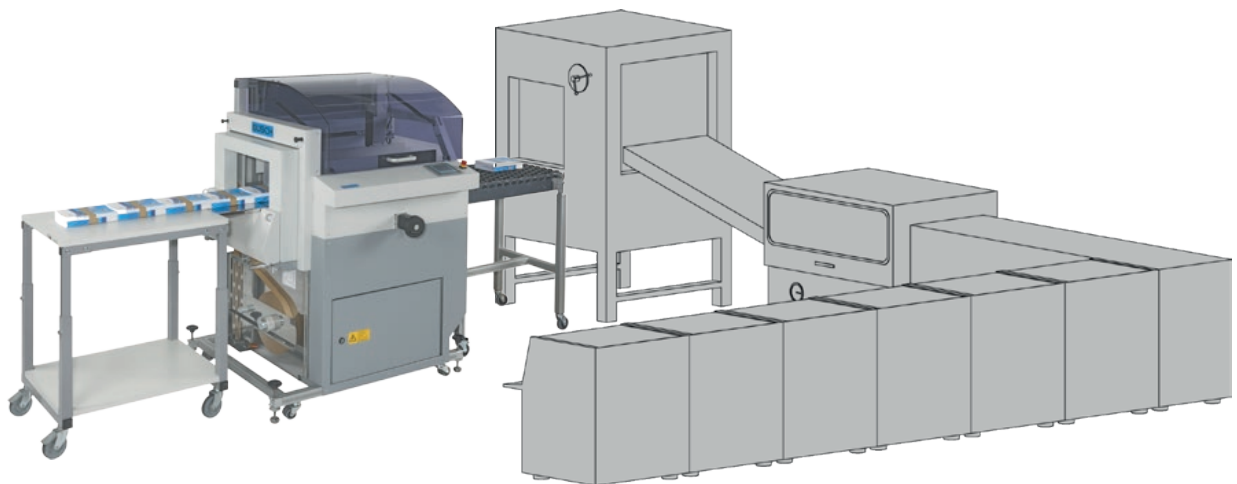
model ZFB 32 inline

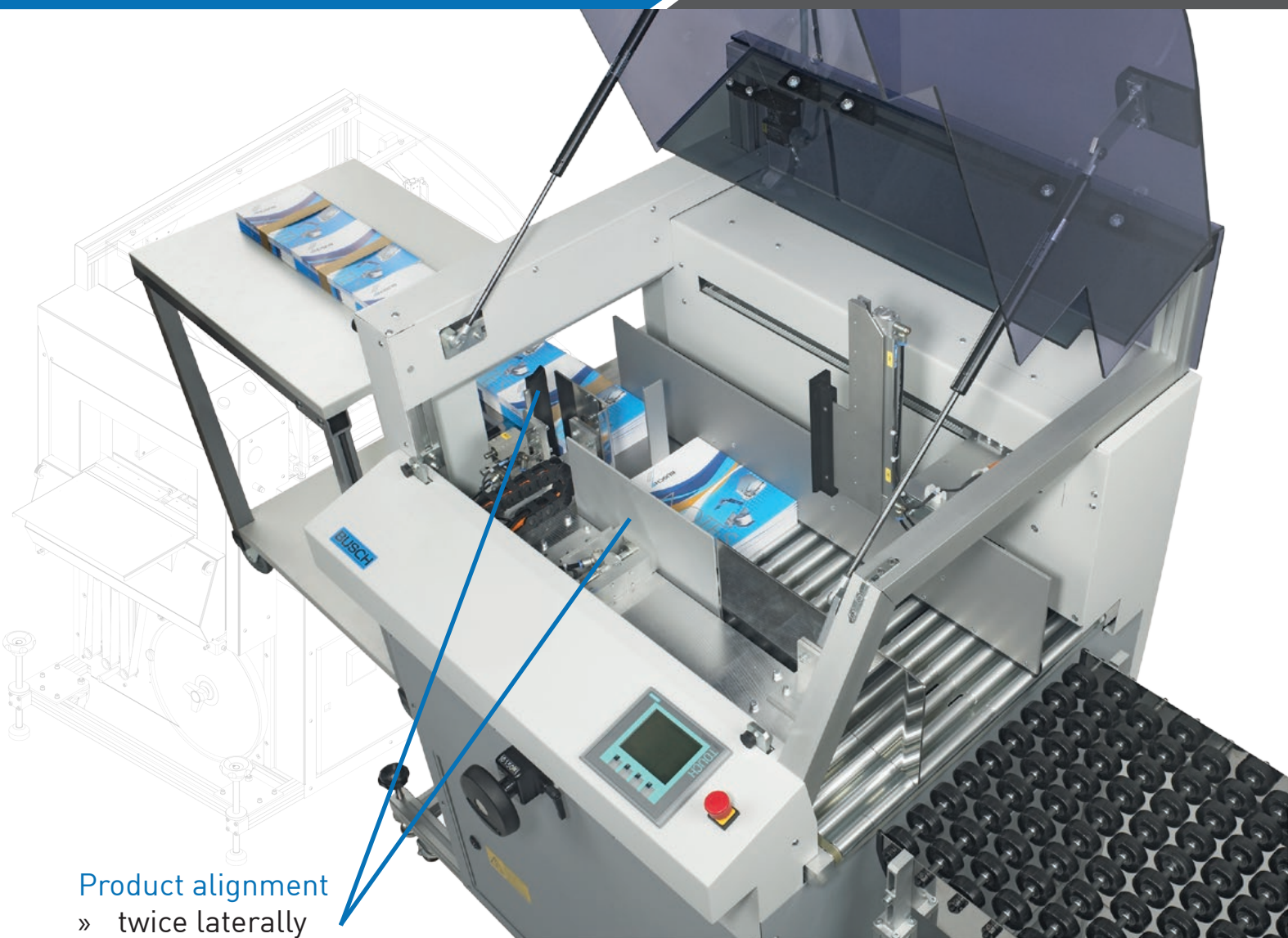
- » application in connection and direct linking of machines with delivery of product piles, e.g. gang stitchers with three-knife trimmers and stackers
- » integrated product pile recognition
- » automated product positioning and alignment
- » adjustable pneumatic compression of the packages
- » intuitive touchscreen control for fast input of all banding specifications
- » automatic transport of each package by means of transport rolls and a feed pusher
- » up to four banding operations per packet
- » adjustable speed of the conveyor rollers and the integrated feed stopping plate guarantee the necessary separation of the piles
- » only package aligning mode due to banding function, that can be switched of



## Installation

in connection with gang stitchers, three-knife trimmers and stackers





**Product alignment**

- » twice laterally
- » twice in feeding direction

**Option**  
mobile and inclinable roller delivery



180° roller delivery  
(two 90° elements)



straight roller delivery  
(800 x 400 mm)



straight roller delivery  
(1200 x 400 mm)



# BANDING MATERIAL

Banding with coated Kraft Paper Tape or Polypropylene Foil from the house of Gerhard Busch GmbH

- » tape width 30 mm
- » coated Kraft Paper Tape  
brown or white, reel length : 800 m
- » Polypropylene Foil (80 µm)  
transparent, reel length : 1200 m



## Machine data

Feed Bander model ZFB 32 inline

Machine output	
single banding	16 packets / minute
double banding	10 packets / minute
Dimensions of products to be banded	
	min. / max.
length	70 / 480 mm *
width	50 / 320 mm
height	approx. 5 / 180 mm
Dimensions of machine (standard equipment without roller delivery)	
length	1.350 mm
width	897 mm
height	1.350 mm
Max. number of banding operations per packet	
	4
machine weight	220 kg
Electrics	
A.C.	500 watt (230 V) 2,2 A 500 watt (110 V) 4,4 A
Compressed air	
consumption	45 nl / min
working pressure	6 bar
supplied, external compressed air	max. 8 bar

\* alternatively : 90 / 500 mm



Gerhard Busch GmbH

Brookdamm 28 | D-21217 Seevetal | Germany  
Tel. +49 (0)40 769159-0 | Fax +49 (0)40 769159-33  
info@buschgraph.de | www.buschgraph.de

**Stanzmaschinen** Die-Cutting Machines

**Bündelmaschinen** Banding Machines

**Späneförderbänder** Waste Conveyors

**Stapelwender** Pile Turners

**Schneidemaschinen** Guillotines

**Schneidperipherie** Peripherals for Guillotines